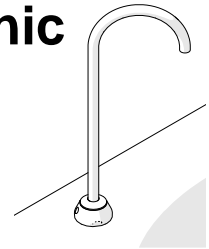




Ezy-Drink® 316 SS Lead Safe Remote Electronic Bottle Filler Tap – Battery

PRODUCT CODE:

- TDBFXEB



SPECIFICATIONS

- Piezo button activation
- Adjustable built-in flow restrictor
- Stainless steel construction

IMPORTANT: All Ezy-Drink® remote bottle fillers are tested in accordance with AS/NZS 3718 and leave our premises in good working order.

WARNINGS: Special attentions to be paid on notes, photos, images, or drawings of assembly steps marked with the warning symbol.



TECHNICAL DATA

Inlet	1/2" BSP - Female	
Outlet	Gooseneck	
Headwork	Piezo Activation	
Working Pressure Range (kPa)	Min	50
	Max	500
Working Temperature Range (°C)	Min	5
	Max	60
Nominal Flow Rate (LPM)	1.7	
Finish	Stainless Steel	

NOTE: Galvin Engineering continually strive to improve their products. Specifications may change without notice.

TOOLS REQUIRED

- Spanner
- Hex key
- Screw driver

PRE-INSTALLATION - MOUNTING DETAILS

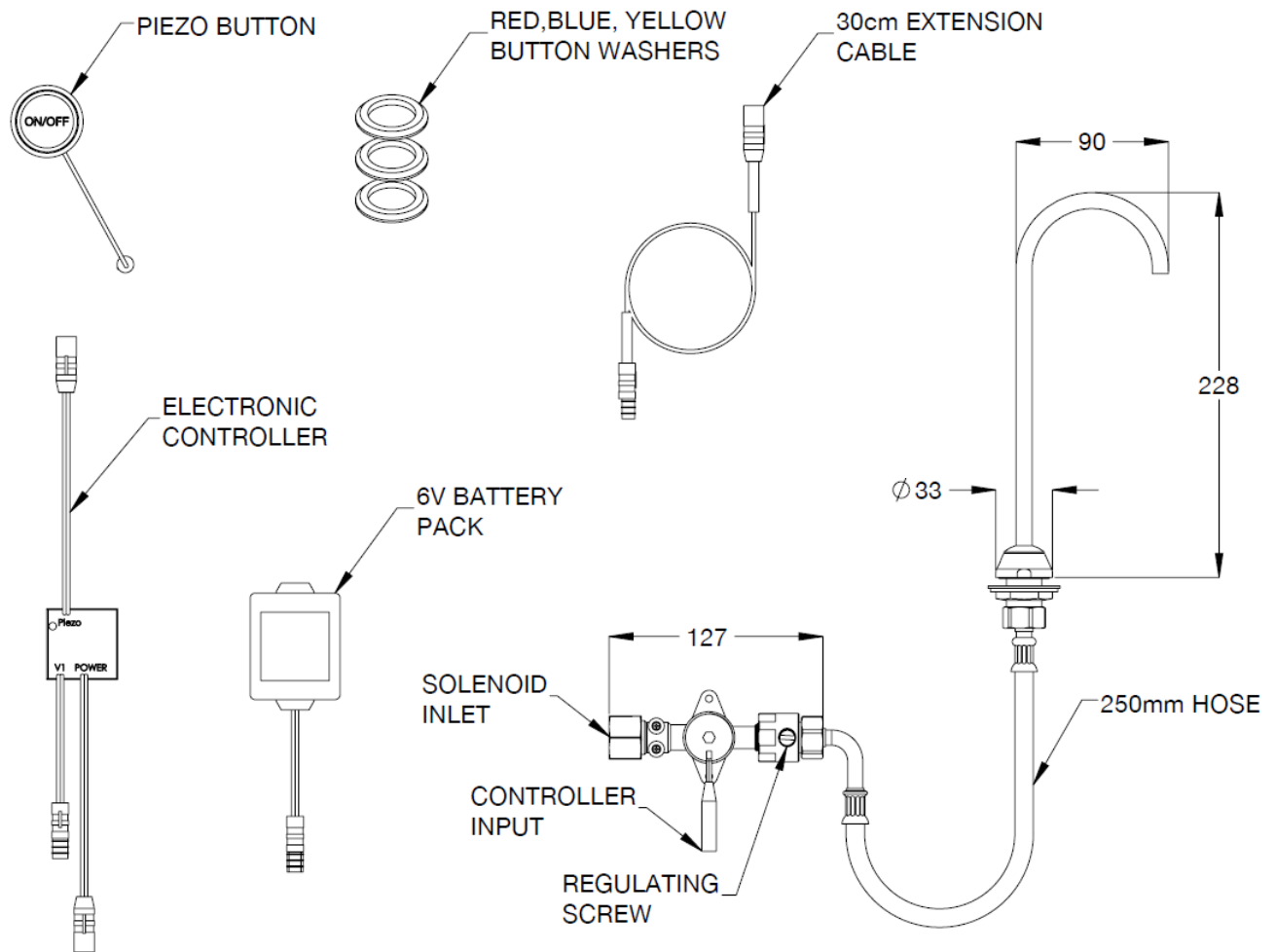
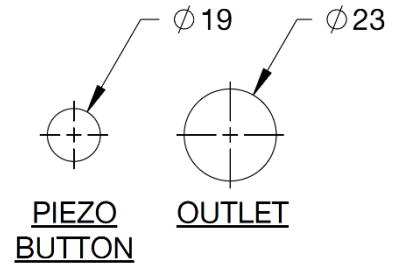
Controller programming is locked. If specific changes need to be made, contact Galvin Engineering.

- If the mounting holes do not already exist, mark out and drill the holes in the bench/trough, as shown in rough-in dimensions.

Notes: Supplied flexi hose length is 250mm long.

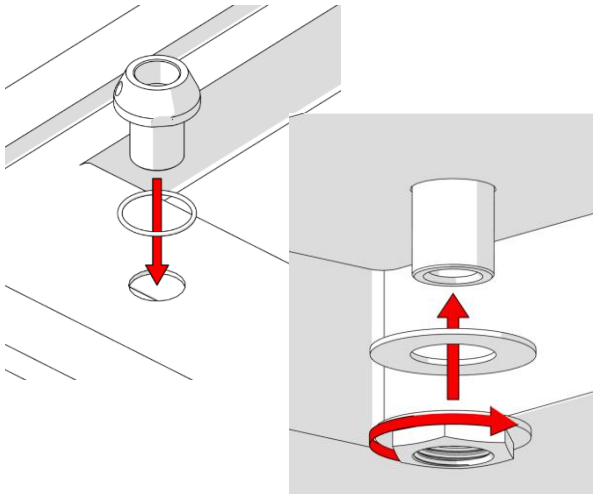
Before installation, all lines must be flushed.

We recommend that a line strainer be installed prior to drinking taps to eliminate any foreign material.



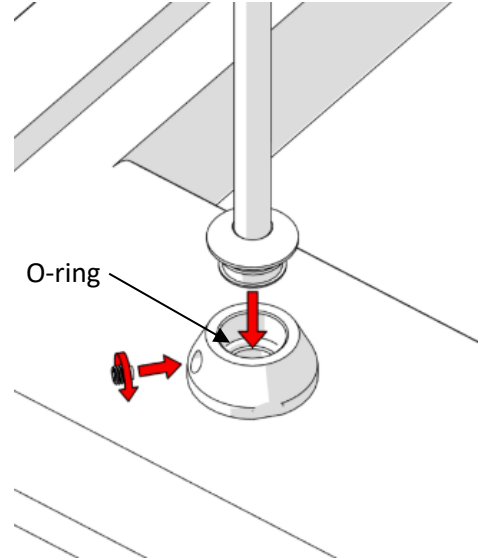
INSTALLATION

INSTALLATION COMPLIANCE: Galvin Engineering products must be installed in accordance with these installation instructions and in accordance with AS/NZS 3500, the PCA and your local regulatory requirements. Water and/or electrical supply conditions must also comply to the applicable national and/or state standards. Failing to comply with these provisions shall void the product warranty and may affect the performance of the product.



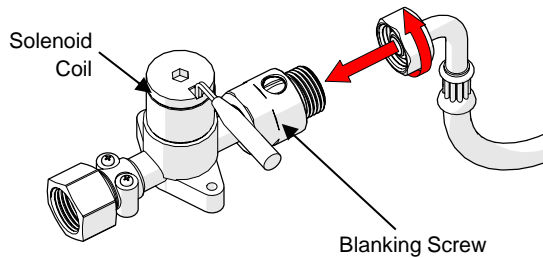
1. Fit Body

- Remove the back nut and rubber washer.
- Fit the body into the trough ensuring the o-ring is placed between the trough and the body.
- Fit rubber washer and back nut and tighten.



2. Fit Filler Outlet

- Fit filler outlet into stem ensuring it is seated correctly and the O-ring is present.
- Turn the filler outlet to the desired position.
- Once positioned, fit, and tighten grub screw. The filler outlet should no longer turn.



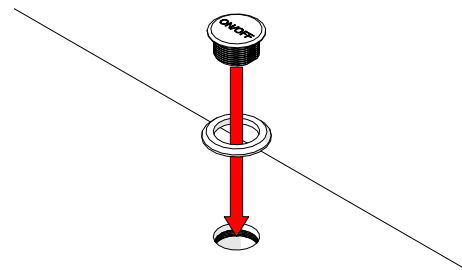
3. Fit Flexi Hose



Fix the solenoid in position ensuring that the solenoid coil is not facing downwards.

- Fit one end of the flexi hose to solenoid as shown. Connect the other end to the body.
- Connect mains water to inlet.
- To adjust water flow
 1. Remove the blanking screw.
 2. Adjust the water height by turning the regulating screw.
 3. Once desired height has been achieved, replace blanking screw.

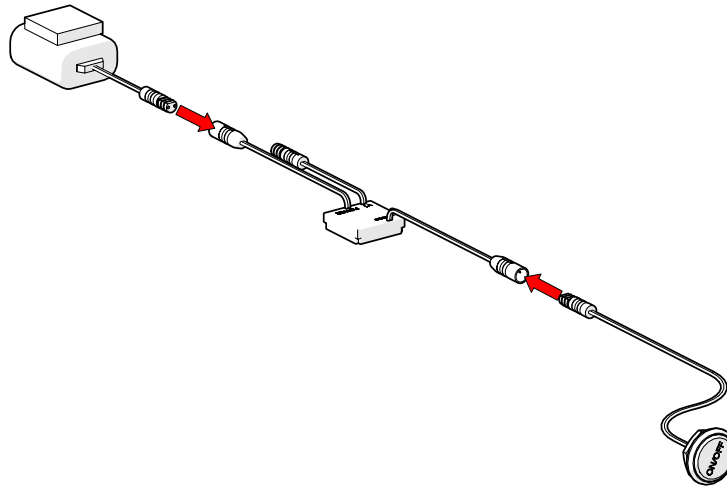
Note: The full range from minimum flow to maximum flow is only ¼ turn.



4. Fit the Piezo Button

- Fit the piezo button and coloured washer into the pre-drilled hole.
- Secure using the supplied nut.

NOTE: Ensure the o-ring is between the button and the coloured washer.



5. Connect the Piezo Button to the Controller & Test

- Connect the controller to the solenoid and the battery pack.
- Connect the piezo button to the controller (as shown).
- Turn on water and test for leaks and correct operation.

TROUBLESHOOTING

PROBLEM	CAUSE	RECTIFICATION
Water is not flowing from tap	Water is turned off	Turn on water
	Blocked flow regulating screw	Remove flow regulating screw and clean
Rate of flow inadequate	The flow regulating screw may not be adjusted correctly	Remove blanking screw and adjust flow regulating screw as described above

WARRANTY

The warranty set forth herein is given expressly and is the only warranty given by the Galvin Engineering Pty Ltd. With respect to the product, Galvin Engineering Pty Ltd makes no other warranties, express or implied. Galvin Engineering Pty. Ltd. hereby specifically disclaims all other warranties, express or implied, including but not limited to the implied warranties of merchantability and fitness for a particular purpose.

Galvin Engineering Pty Ltd products are covered under our manufacturer’s warranty available for download from www.galvinengineering.com.au Galvin Engineering Pty Ltd expressly warrants that the product is free from operational defects in workmanship and materials for the warranty period as shown on the schedule in the manufacturer’s warranty. During the warranty period, Galvin Engineering will replace or repair any defective products manufactured by Galvin Engineering without charge, so long as the terms of the Manufacturer’s warranty are complied with.

The remedy described in the first paragraph of this warranty shall constitute the sole and exclusive remedy for breach of warranty, and Galvin Engineering Pty Ltd shall not be responsible for any incidental, special or consequential damages, including without limitation, lost profits or the cost of repairing or replacing other property which is damaged if this product does not work properly, other costs resulting from labour charges, delays, vandalism, negligence, fouling caused by foreign material, damage from adverse water conditions, chemical, electrical or any other circumstances over which Galvin Engineering has no control. This warranty shall be invalidated by any abuse, misuse, misapplication, improper installation or improper maintenance or alteration of the product.